



lead line specialist.

- for Fishing Nets -

*Europe's Leading
Lead Line Manufacturer.*



Factory

Marmara Geri Donusumculer
San. Sit. Aycicek Sk. No:30
Sekerpinar / Cayirova
KOCAELI - TURKEY
Tel: +90 262 658 19 24 - 25
Fax: +90 262 658 19 26
Mobile: +90 555 990 85 20
e-mail: sales@metron.com.tr

HERCUL LEAD LINES FOR FISHING NETS "THE EUROPE'S LEAD LINE SPECIALIST"

METRON A.S., "The Europe's Leader Lead Lines Manufacturer", was founded in 1972 to process soft metals and after a long period of experience in metal business and research and development investments, it has started to produce lead lines for curtains and fishing ropes under the name of HERCUL LEAD LINES .

Thanks to well-educated staff and technical background HERCUL LEAD LINES is able to assure the highest quality standards in producing BRAIDED LEADED ROPES.

METRON A.S. is highly specialized in "Lead Lines" by means of the best technology in the world for metal sector, and our company is able to produce the best quality Lead Lines with Polyester, PP multifilament, PP monofilament, PA multifilament, PA monofilament or high quality

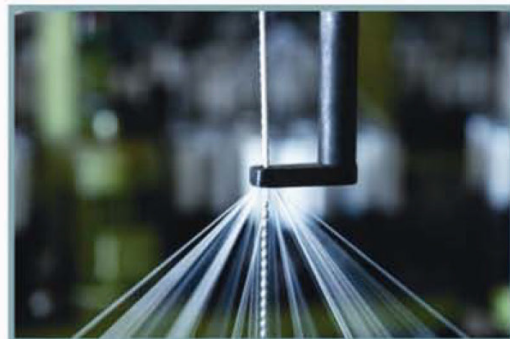


METRON A.S. is able to process 400 tons of lead per month with the help of 23 extruder machine and 200 braiding machine for the production of different sizes from 10 gr/mt and up.

METRON A.S. provides the best price, quality and service in our brand HERCUL LEAD LINES since Metron A.S uses RECYCLED LEAD into its production which diminish the cost and give support to our lovely planet at the same time.

METRON A.S. is proud to announce that HERCUL LEAD LINES are only made of RECYCLED LEADS. Metron gives you hand to make this world a better place for all and support the enviromental works worldwide.

METRON A.S. is always only a phone call away to its customers on the HOTLINE number +90 555 990 85 20 from where you may ask for any kind of assistance 24 hours a day in English, French or Spanish.





ATR CERTIFICATION

The ATR Certificate allows all our customers in European countries to import our goods without paying any Custom Taxes.



THE QUALITY CERTIFICATE

The quality of our goods are certified by one of the most accredited Quality Certification Body in Europe: TÜV.



EUROCORD MEMBER

Our company is a Member of the prestigious European Rope & Twine Manufacturers Organization; EUROCORD; since April 2008.



GUARANTEE CERTIFICATE

The quality of all our goods are guaranteed with our own Test Certificate predicating all the datas such as Net and Gross Weights, Tolerance Rates etc.



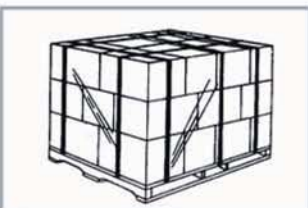
REACH REGISTRATION

Our goods are pre-registered to REACH system of the European Chemicals Agency.



RECYCLED LEAD FOR A BETTER WORLD

With the deal to make this world a better place for all Metron AS. only uses Recycled Lead.



HIGH PACKING STANDARDS

Our goods are packed carefully to avoid any risk of the long distance oversea deliveries.



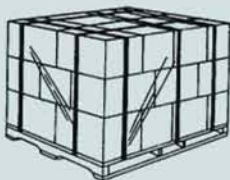
*In Sacs
(of your choice)*



*In Boxes
(of your choice)*



*On Spools
(of your choice)*



*Metron AS provides different
packing types for your needs.*

Beaded Lead Line



Lead Line no: 01

Beaded lead chain over HT polyester yarn for fishing rope manufacturers. Without cover. Standard production from 10 to 1000 gr/mt.

Dia (mm)	Weight (gr/mt)	Dia (mm)	Weight (gr/mt)	Dia (mm)	Weight (gr/mt)	Dia (mm)	Weight (gr/mt)
1.30	10	3.10	60	5.40	175	7.20	290
1.30	11	3.20	65	5.50	180	7.30	295
1.40	12	3.30	70	5.60	185	7.30	300
1.40	13	3.40	75	5.70	190	7.30	305
1.50	14	3.50	80	5.80	195	7.40	310
1.50	15	3.60	85	5.90	200	7.40	315
1.60	16	3.70	90	6.00	205	7.40	320
1.60	17	3.80	95	6.10	210	7.50	325
1.75	18	3.90	100	6.20	215	7.50	330
1.75	19	4.00	105	6.30	220	7.50	335
1.90	20	4.10	110	6.40	225	7.60	340
1.90	22	4.20	115	6.50	230	7.60	345
2.00	25	4.30	120	6.60	235	7.60	350
2.10	28	4.40	125	6.70	240	7.70	355
2.20	30	4.50	130	6.80	245	7.70	360
2.30	32	4.60	135	6.90	250	7.70	365
2.40	35	4.70	140	7.00	255	7.80	370
2.50	38	4.80	145	7.00	260	7.80	375
2.60	40	4.90	150	7.00	265	7.80	380
2.70	42	5.00	155	7.10	270	7.90	385
2.80	45	5.10	160	7.10	275	7.90	390
2.90	50	5.20	165	7.10	280	7.90	395
3.00	55	5.30	170	7.20	285	8.00	400



- *For fishing rope manufacturers*
- *Winded on different type of spools for industrial use*



Lead Line no: 02

Braided lead line for fishing net with bead-lead small chain inside. Polypropylene or polyester multicolour external cover and internal core. Standard production from 12 to 1000 gr/mt.

Dia (mm)	Weight (gr/mt)	Tolerance (gr/mt)	Sacs (mt)	Sacs (ft)	Strenght (gr)
1.25	15	+/- 2	800	2500	350
1.50	20	+/- 3	800	2500	350
2.00	30	+/- 3	800	2500	350
2.25	35	+/- 4	800	2500	350
2.50	50	+/- 5	600	2000	350
2.50	55	+/- 5	600	2000	350
2.75	60	+/- 5	600	2000	350
3.00	70	+/- 5	500	1500	350
3.25	80	+/- 5	500	1500	350
3.50	90	+/- 5	400	1300	350
3.75	100	+/- 6	400	1300	350
4.00	110	+/- 6	300	1000	700
4.50	130	+/- 6	300	1000	700
5.00	145	+/- 6	200	700	900
5.50	185	+/- 6	200	700	900
6.00	220	+/- 7	100	350	900
8.00	300	+/- 7	100	350	1000
9.00	400	+/- 7	100	350	1800
10.00	500	+/- 7	100	350	1800



- *1 Lead Chain Inside*
- *PP or Polyester Cover*
- *PP Reinforced Type Available*



Lead Line no: 03

Braided lead line for fishing net with 3 lead chain inside. Polypropylene or polyester multicolour external cover and internal core.
Standard production from 30 to 2000 gr/mt.

<i>Dia (mm)</i>	<i>Weight (gr/mt)</i>	<i>Tolerance (gr/mt)</i>	<i>Sacs (mt)</i>	<i>Sacs (ft)</i>	<i>Strenght (gr)</i>
5.00	50	+/- 5	600	2000	350
5.25	55	+/- 5	600	2000	350
5.50	60	+/- 5	600	2000	350
6.00	70	+/- 5	500	1500	350
6.50	80	+/- 5	500	1500	350
7.00	90	+/- 5	500	1500	350
8.00	100	+/- 6	400	1300	350
9.00	110	+/- 6	400	1300	700
10.00	130	+/- 6	300	1000	700
10.50	145	+/- 6	300	1000	900
11.00	185	+/- 6	200	700	900
12.00	220	+/- 7	100	350	900
13.00	250	+/- 7	100	350	1000
15.00	300	+/- 7	100	350	1000
18.00	400	+/- 8	100	350	1800
20.00	500	+/- 8	100	350	1800



- *3 Lead Chain Inside*
- *PP or Polyester Cover*
- *PP Reinforced Type Available*



Lead Line no: 04

Braided lead line for fishing net with multi lead chain inside. Polypropylene or polyester multicolour external cover and internal core.
Standard production from 100 to 6000 gr/mt.

<i>Dia (mm)</i>	<i>Weight (gr/mt)</i>	<i>Tolerance (gr/mt)</i>	<i>Sacs (mt)</i>	<i>Sacs (ft)</i>	<i>Strenght (gr)</i>
16.00	200	+/- 5	600	2000	1000
17.00	250	+/- 5	600	2000	1000
18.00	300	+/- 5	600	2000	1000
19.00	350	+/- 5	500	1500	1200
20.00	400	+/- 5	500	1500	1400
21.00	450	+/- 5	500	1500	1600
23.00	500	+/- 6	400	1300	1800
35.00	600	+/- 6	400	1300	2000
38.00	700	+/- 6	300	1000	2200
45.00	800	+/- 6	300	1000	2400
50.00	900	+/- 6	200	700	2600



- *From 3 upto 10 Lead Chain Inside*
- *PP or Polyester Cover*
- *PP Reinforced Type Available*



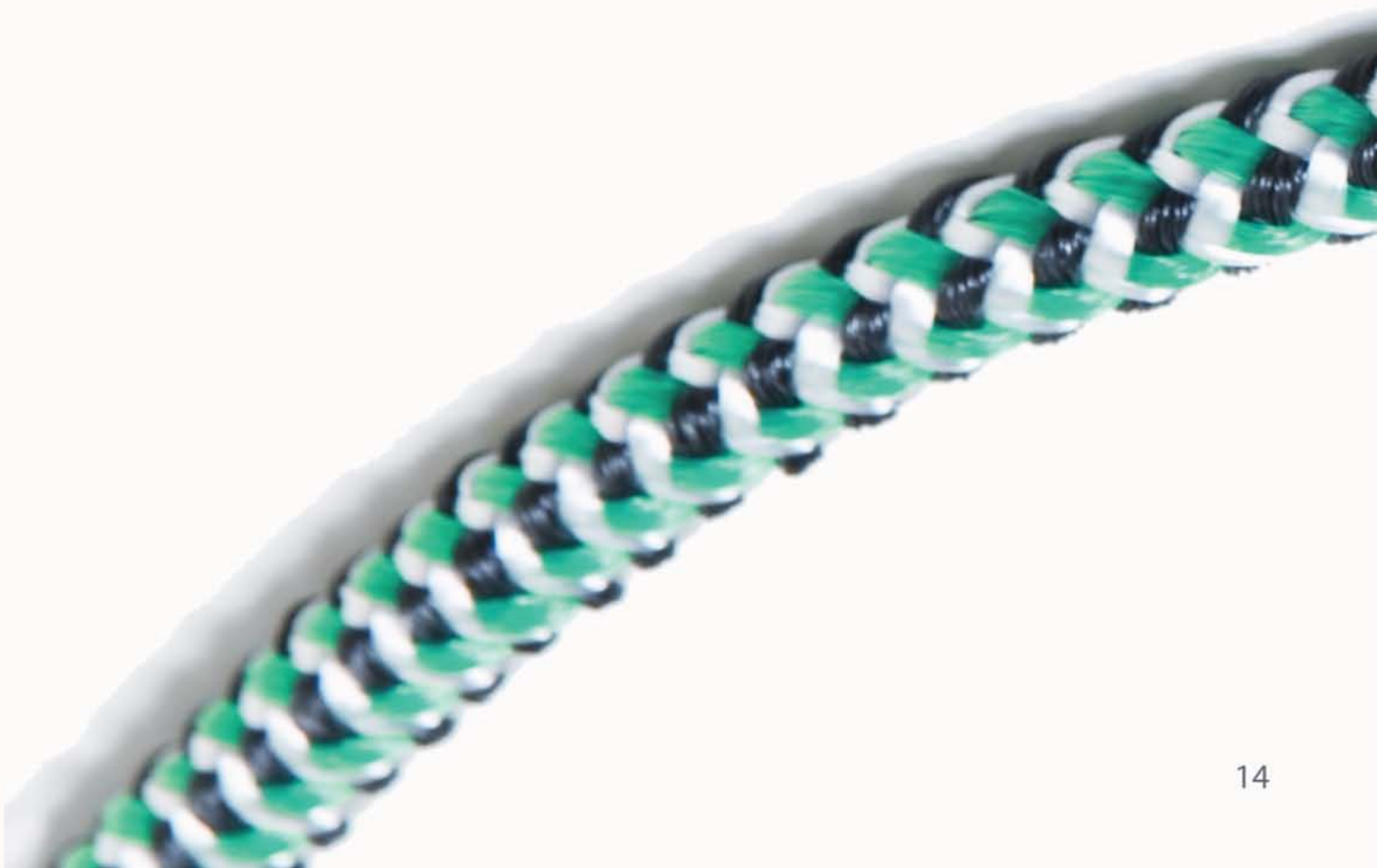
Lead Line no: 05

Braided lead line for fishing net with bead-lead small chain inside. Polyolefin and spun nylon cover with a black longitudinal hanging line. Standard production from 12 to 1000 gr/mt.

SIZE		DIA		REEL			STRENGHT	PALLETS	
(#)	(gr/mt)	(")	(mm)	(Ft)	(Lbs)	(kg)	(Lbs)	(Reels)	(Lbs)
20	50	3/16	4,7	600	20	9	800	48	1200
20	50	3/16	4,7	1200	40	18	800	36	1624
30	75	1/4	6,3	600	30	14	900	36	1274
30	75	1/4	6,3	1200	60	27	900	24	1562
40	99	9/32	7,1	600	40	18	1300	36	1562
40	99	9/32	7,1	1200	80	36	1300	24	2210
50	124	5/16	7,9	600	50	23	1700	24	1322
65	161	3/8	9,5	600	65	29	2000	24	1682
75	186	13/32	10,3	600	75	34	2100	24	1922
85	211	13/32	10,3	600	85	38	2100	24	2162
95	236	13/32	10,3	600	95	43	2100	24	2402
100	248	13/32	10,3	600	100	45	2100	24	2522
110	273	7/16	11,1	600	110	50	2300	12	2762
120	298	7/16	11,1	600	120	54	2300	12	1430
140	348	15/32	11,1	600	140	63	2300	12	1790
150	423	1/2	12,7	600	150	68	2400	12	1910
175	434	17/32	13,5	600	175	79	2500	12	2210
200	496	9/16	14	600	200	90	2600	12	2546



- *1 Lead Chain Inside*
- *Combination of polyolefin and spun nylon with black tracer*



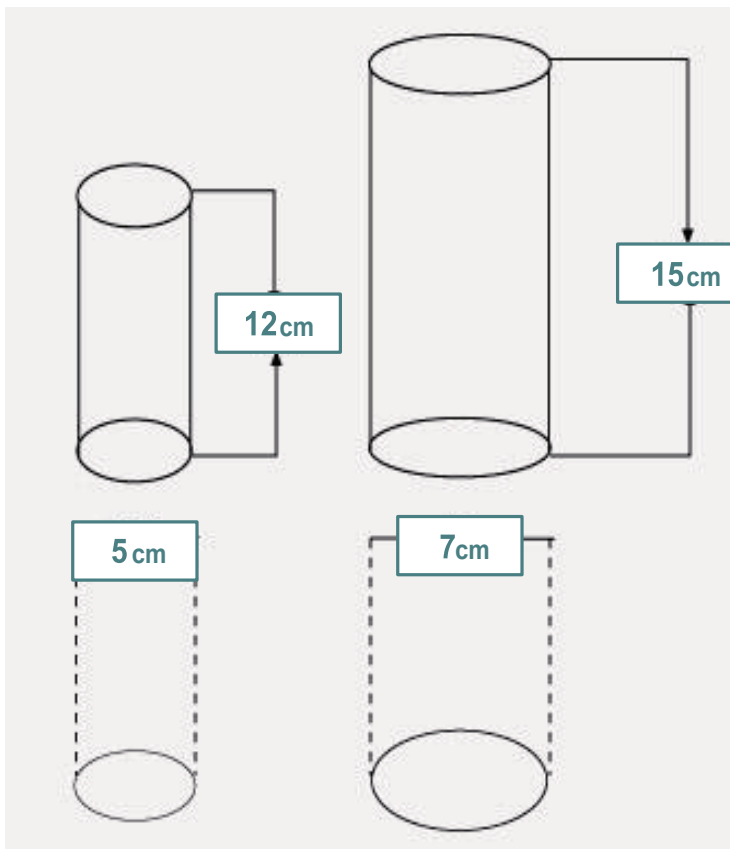
LEAD 3 STRAND ROPE

RECYCLED



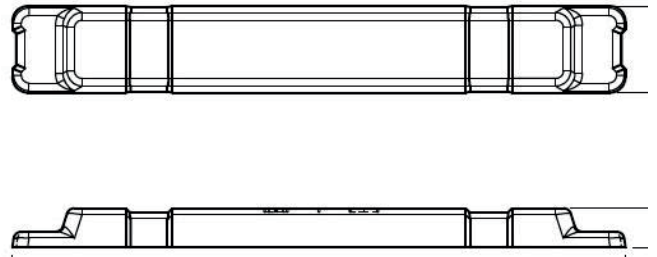
- 3 Strand Polyethylene Leaded Rope.
- Single lead core in each strand
- 8 mm, 10 mm, 12 mm and 14mm are available.

LEAD BILLETS



Recycled Lead Billets from 2,5 kg to 3,5 kg. Lead billets are the secondary stage of lead rope manufacturing. Ingots are first converted into cylindrical billets and then put into extrusions.

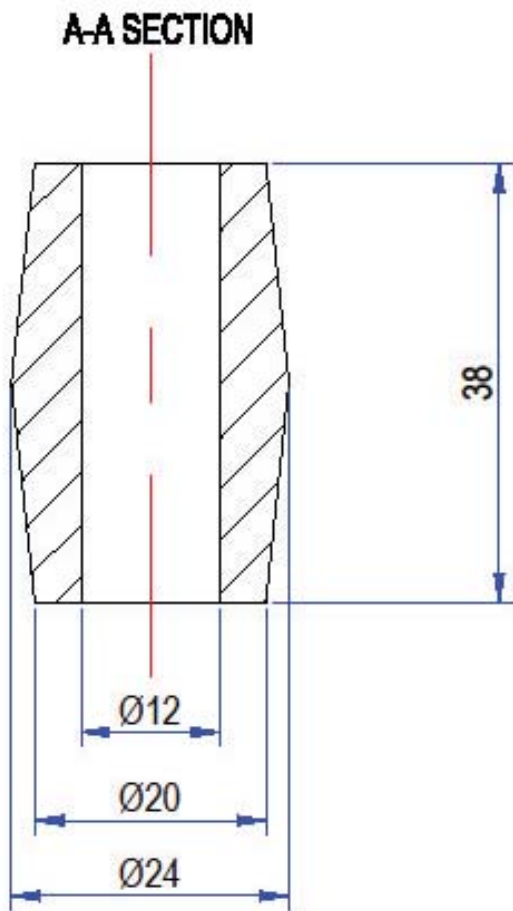
LEAD INGOTS



We are able to supply you with lead ingots produced to **REACH** specifications for **refined pure at 99.97%** and **pure lead at 99.94%**. We can also supply secondary lead ingots that tweak the standard purity specifications to include very low sulfur at controlled levels.

LEAD WEIGHTS

Lead weights are mainly used in fishing industry to make nets sink. As having the highest gravity, lead offers fishermen opportunity to reach the maximum weight with minimum space.



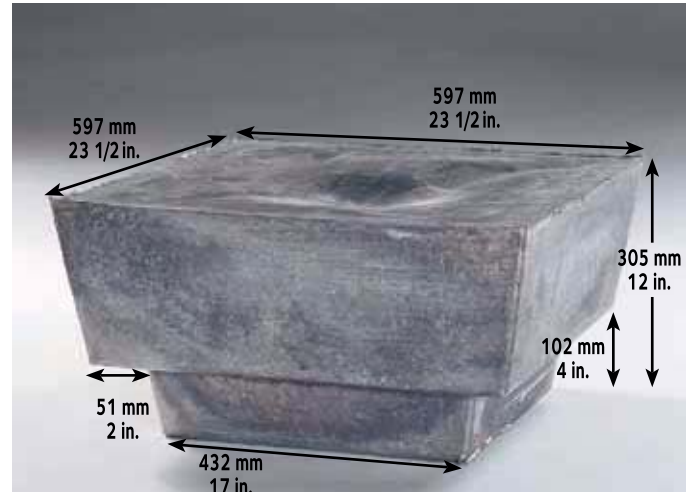
Lead



Lead Jumbo

907 kg; 2000 lb

Lead Jumbo



Weight

907 kg; 2000 lb

Tolerances

Weight: ± 23 kg; ± 50 lb

Grades: 99.99% pure lead, battery alloys, antimonial/arsenical lead alloys.

Notes

Weight values are for pure lead.

Product is marked with alloy, weight, and lot identification.

Height may vary by 13 mm (1/2 in.) with alloys.

Unless noted otherwise, the dimensions provided are nominal.

Lead Shots

Lead shot is primarily used for shooting applications such as skeet, trap and game hunting. It can also be used for vibration control and sound deadening in areas where molten lead can't be used or where access doesn't permit. Lead shot is sold in 25LB woven poly bags, in denier nylon bags or in ballistic nylon bags





from Türkiye to Whole World.

by
>metrongroup

Since 1972

Factory

Marmara Geri Donusumculer
San. Sit. Aycicek Sk. No:30
Sekerpinar / Cayirova
KOCAELI - TURKEY
Tel: +90 262 658 19 24 - 25
Fax: +90 262 658 19 26
Mobile: +90 555 990 85 20
e-mail: sales@metron.com.tr